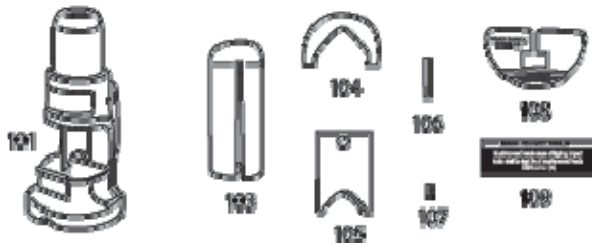


# Morse-Starrett Model #1

## Light Duty Hammer Blow Cutter

The original portable tools invented in 1928 by Morse-Starrett to cut wire rope. Actuated by striking with a hammer, they are easy to operate and give superior performance without jamming. They are precision-engineered to deliver a clean cut without affecting the original roundness of the wire rope. The blades and dies are made of the finest tool steel available, heat-treated, and ground to close tolerances.



**Model 1**  
**3/4" capacity**

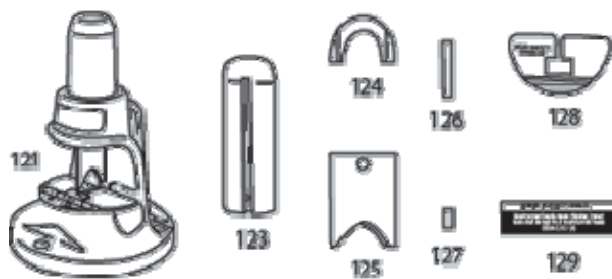
### Model 1 (light duty)

Part	Description	Weight	Part	Description	Weight
101	Cutter complete	8 lbs.	106	Blade pin only	1 oz.
102	Casting base	4 lbs.	107	Plunger guide pin	1 oz.
103	Plunger	3 lbs.	108	Guard	1 oz.
104	Die (set)	4 oz.	109	Warning decal	
105	Blade (with pin)	2 oz.			

# Morse-Starrett Model #1A

## Heavy Duty Hammer Blow Cutter

The original portable tools invented in 1928 by Morse-Starrett to cut wire rope. Actuated by striking with a hammer, they are easy to operate and give superior performance without jamming. They are precision-engineered to deliver a clean cut without affecting the original roundness of the wire rope. The blades and dies are made of the finest tool steel available, heat-treated, and ground to close tolerances.



**Model 1A**  
1 1/16" capacity

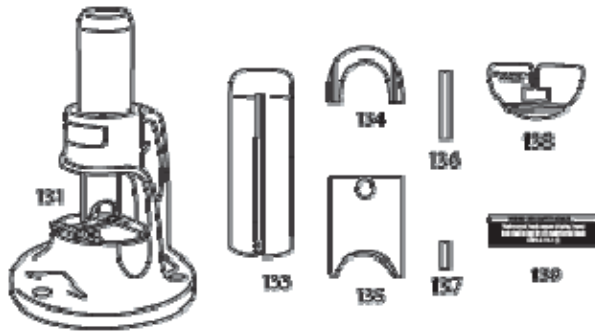
### Model 1A (heavy duty)

Part	Description	Weight	Part	Description	Weight
121	Cutter complete	17 lbs.	126	Blade pin only	1 oz.
122	Casting base	12 lbs.	127	Plunger guide pin	1 oz.
123	Plunger	4 lbs.	128	Guard	2 oz.
124	Die (set)	7 oz.	129	Warning decal	
125	Blade (with pin)	2 oz.			

# Morse-Starrett Model #2

## Extra Heavy Duty Hammer Cutter

The original portable tools invented in 1928 by Morse-Starrett to cut wire rope. Actuated by striking with a hammer, they are easy to operate and give superior performance without jamming. They are precision-engineered to deliver a clean cut without affecting the original roundness of the wire rope. The blades and dies are made of the finest tool steel available, heat-treated, and ground to close tolerances.



**Model 2**  
1 1/2" capacity

### Model 2 (extra heavy duty)

Part	Description	Weight	Part	Description	Weight
131	Cutter complete	28 lbs.	136	Blade pin only	1 oz.
132	Casting base	21 lbs.	137	Plunger guide pin	1 oz.
133	Plunger	7 lbs.	138	Guard	3 oz.
134	Die (set)	10 oz.	139	Warning decal	
135	Blade (with pin)	5 oz.			