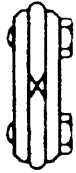


### Industrial Grade, Center Cut Cutters



**END VIEW**

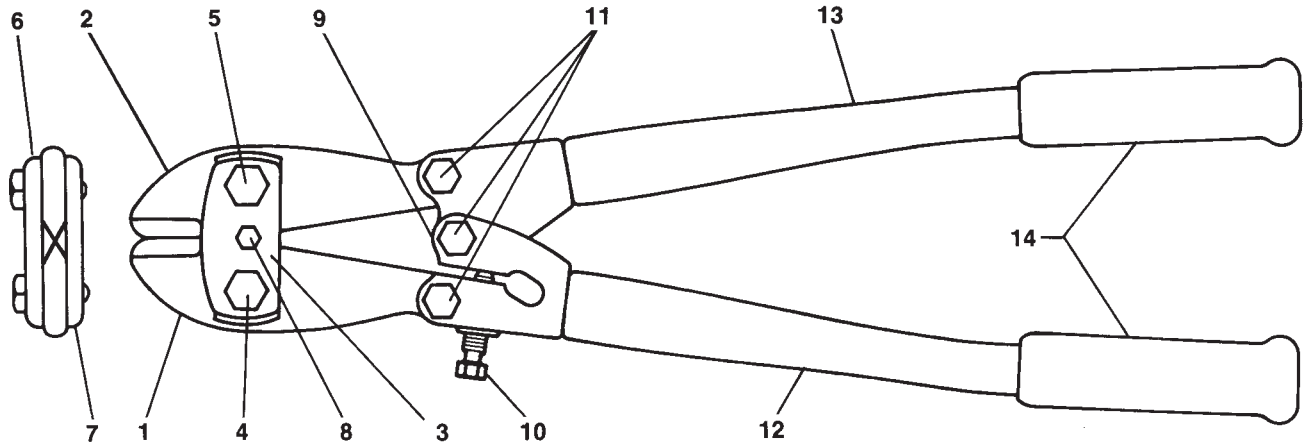
- General plant maintenance tool
- Drop-forged, precision ground, alloy tool steel jaws with center-cut blades
- Cuts soft, medium, or hard materials
- Maximum hardness of material to be cut: Brinell 455/Rockwell C48
- Lockplate keeps jaws from loosening
- Toggle joints turn 50 lbs. hand pressure to 4000 lbs. cutting pressure
- Screw-type adjustment realigns edges
- Steel handles with rubber grips

| Cat No.       | UPC No.      | Approx. Weight |   | Length |      | Soft and Medium Hard Materials    |    | Hard Materials                    |    | Replacement Cutterhead |              |
|---------------|--------------|----------------|---|--------|------|-----------------------------------|----|-----------------------------------|----|------------------------|--------------|
|               |              |                |   |        |      | (Up to Brinell 300, Rockwell C31) |    | (Up to Brinell 455, Rockwell C48) |    |                        |              |
|               |              | lbs            | k | Inch   | mm   | Inch                              | mm | Inch                              | mm | Cat. No.               | UPC No.      |
| <b>1490MC</b> | 037103913777 | 2 3/4          | 1 | 14     | 356  | 5/16                              | 8  | 3/16                              | 5  | <b>1413C</b>           | 037103913456 |
| <b>0090MC</b> | 037103905529 | 3 1/2          | 2 | 18     | 457  | 3/8                               | 10 | 1/4                               | 6  | <b>0013C</b>           | 037103904850 |
| <b>0190MC</b> | 037103907134 | 5 1/4          | 3 | 24     | 610  | 7/16                              | 11 | 5/16                              | 8  | <b>0113C</b>           | 037103906205 |
| <b>0290MC</b> | 037103908094 | 8 1/2          | 4 | 30     | 762  | 1/2                               | 13 | 3/8                               | 10 | <b>0213C</b>           | 037103907578 |
| <b>0390MC</b> | 037103909336 | 12 7/8         | 6 | 36     | 914  | 9/16                              | 14 | 7/16                              | 11 | <b>0313C</b>           | 037103908599 |
| <b>0590MC</b> | 037103910790 | 17 1/8         | 8 | 42     | 1067 | 11/16                             | 18 | 1/2                               | 13 | <b>0513C</b>           | 037103909930 |



Never use any H.K. Porter cutters on energized circuits, wire, or cable.

# Center Cut Cutters



## Parts for 0390MC

Overall Length: 36" (914mm)

| Item No. | Part No. | Description          |
|----------|----------|----------------------|
| .....    | 0313C    | Cutterhead           |
| .....    | 0312C    | Jaws, Pair           |
| .....    | 0324     | Cutterhead less Jaws |
| .....    | 0315MS   | Handles, Pair        |
| 1        | 0311C    | Jaw, Left            |
| 2        | 0310C    | Jaw, Right           |
| 3        | 0356     | Lockplate            |
| 4        | 0335     | Bolt, Right Thread   |
| 5        | 0336     | Bolt, Left Thread    |
| 6        | 0320     | Strap, Top           |
| 7        | 0321     | Strap, Bottom        |
| 8        | 0257     | Screw, Lockplate     |
| 9        | 0384     | Bushing, Handle      |
| 10       | 0338M    | Screw, Adjusting     |
| 11       | 0327MS   | Bolt and Nut         |
| 12       | 0306MS   | Handle, Left         |
| 13       | 0305MS   | Handle, Right        |
| 14       | 0380M    | Grip, Rubber         |

NOTE: ALL HANDLES ARE SUPPLIED WITH CONNECTING BOLTS AND NUTS